

Please read all instructions carefully before assembly, installation and/or use of this product.

Use for Parts: #59114 Rola™ 2-Bike Rack System
#59115 Rola™ 1-Bike Add-On

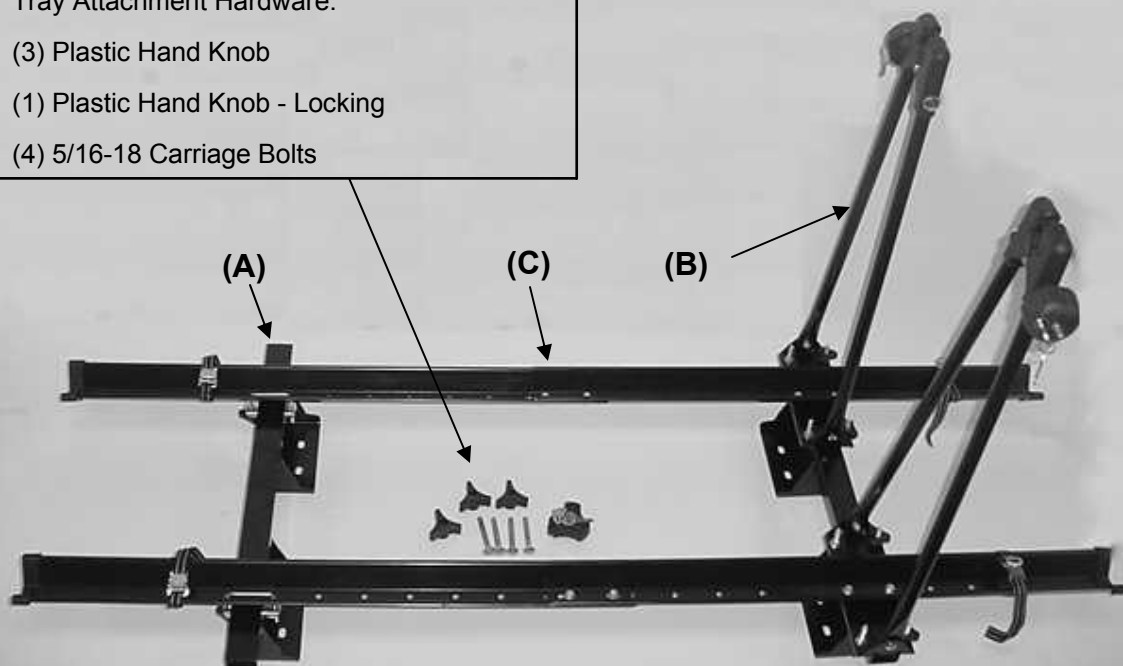
TOOLS REQUIRED

10mm or 13/32" Socket & Wrench

#59114 Rola™ 2-Bike Rack Carrier (Shown Assembled)

Tray Attachment Hardware:

- (3) Plastic Hand Knob
- (1) Plastic Hand Knob - Locking
- (4) 5/16-18 Carriage Bolts

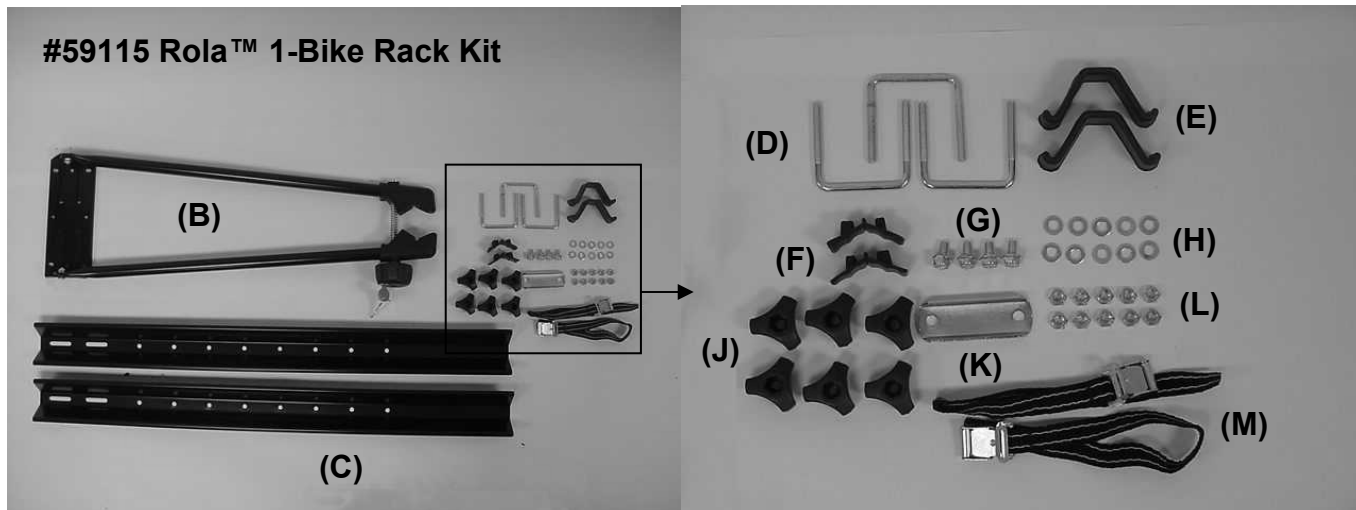


PART	DESCRIPTION	QTY.
A	Bottom Support Bracket	2
59115	Bike Rack Kit	2



Please read all instructions carefully before assembly, installation and/or use of this product.

#59115 Rola™ 1-Bike Rack Kit



The parts list below represents one (1) complete Bike Rack Kit.

PART	DESCRIPTION	QTY.
B	Bike Support Arm	1
C	Bike Wheel Trough	2
D	U-Bolt	3
E	Plastic End Cap	2
F	Plastic Protector Cushions	2
G	Hex Bolt	4
H	Flat Washer	10
J	Plastic Hand Knob	6
K	Bracket	1
L	Hex Nut	10
M	Tie Down Strap	2

59114 contains two (2) complete Bike Rack Kits

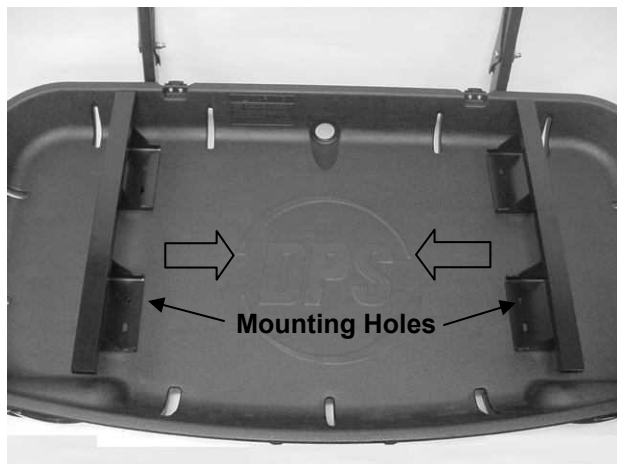
59115 contains one (1) complete Bike Rack Kit

*59115 Installation Instructions start at STEP 4.



Please read all instructions carefully before assembly, installation and/or use of this product.

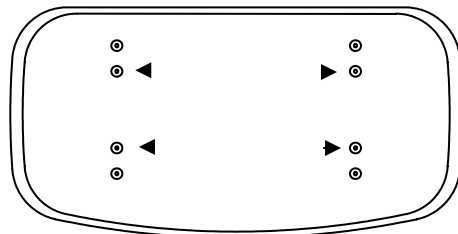
1



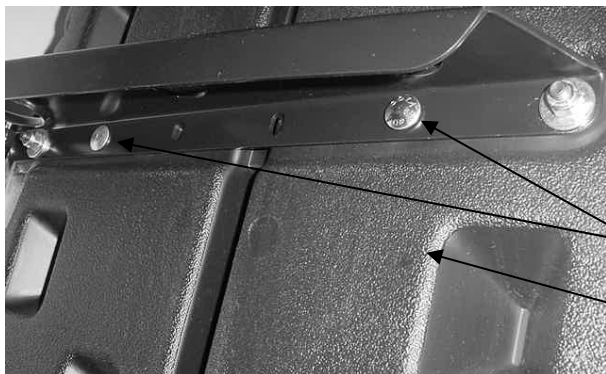
- Place the Main Support Brackets on top of Cargo Tray with the mounting holes toward the center of the tray.

Note:

Use the inner four holes to mount Bike Rack



2

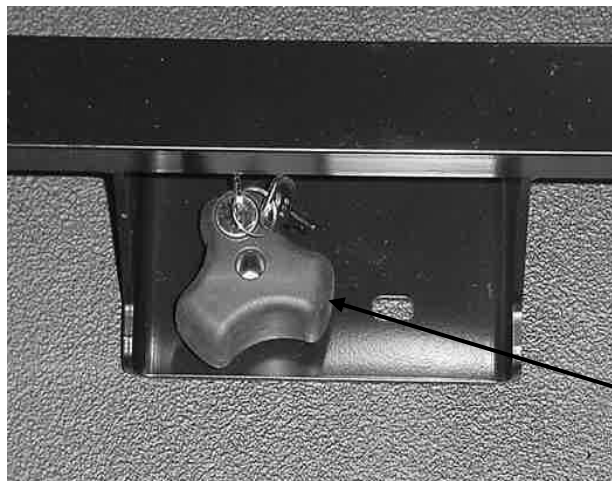


- Line up the Main Support Brackets with the four inner holes on the cargo tray.
- Install the 5/16 carriage bolts upward through the bottom of existing bracket and Cargo Tray.

5/16 Carriage Bolt – (4) Places

Bottom of Cargo Tray

3



- Install the (3) Plastic Knobs and (1) Locking Knob on the four (4) 5/16 carriage bolts. Hand-tighten until snug.

Note:

The Bike Rack Main Support Brackets should NOT move once the knobs are tightened properly.

To lock Plastic Knob, rotate key until knob rotates freely without loosening the knob from the bolt.

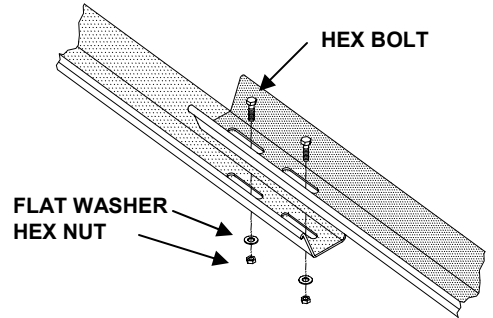


Please read all instructions carefully before assembly, installation and/or use of this product.

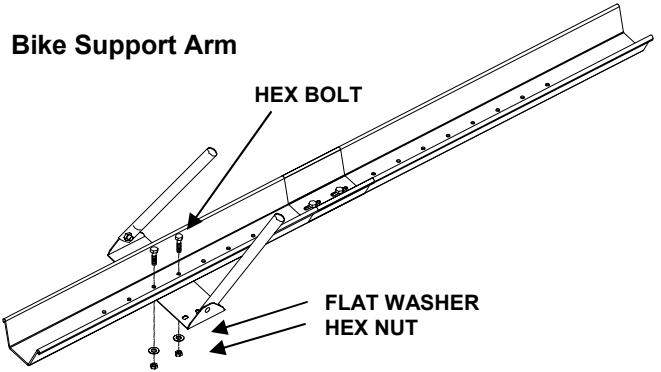
4



- Assemble the Bike Wheel Troughs together using (2) hex bolts, (2) flat washers, and (2) hex nuts. **LEAVE LOOSE AT THIS STEP.**

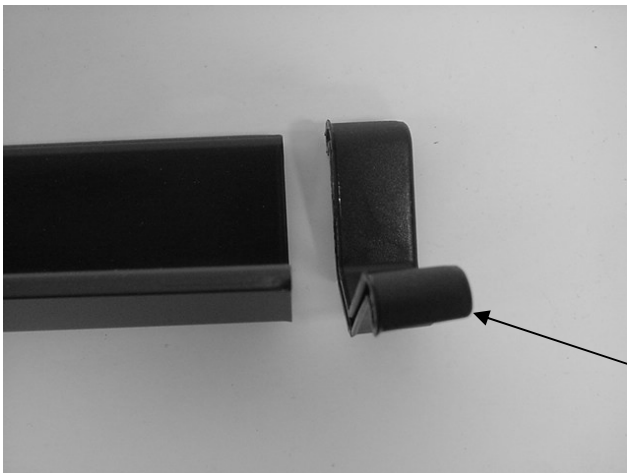


5



- Attach the Bike Support Arm to the Bike Wheel Trough at the 3rd & 4th hole in trough using (2) hex bolts, (2) flat washers, and (2) hex nuts.

6



- Place plastic cap on each end of trough.
- Lightly tap on until completely engaged.

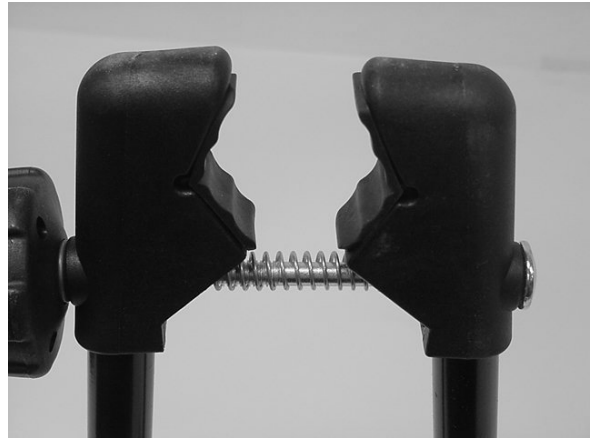
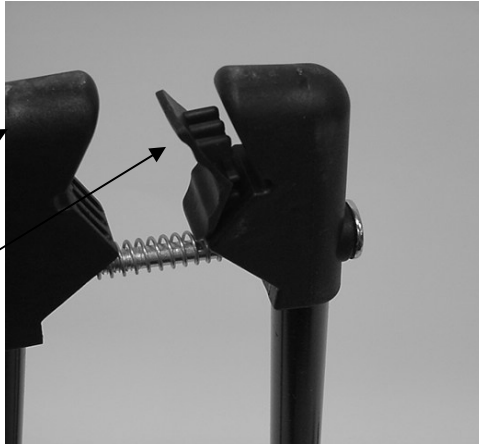
Plastic End Cap
(Both Ends)

Please read all instructions carefully before assembly, installation and/or use of this product.

7

Grabber

Plastic Protector Cushions



- Place Plastic Protector Cushions into each side of Grabber and make sure cushion is fully seated.

8

KNOB
(with hex nut inside)

U-BOLT

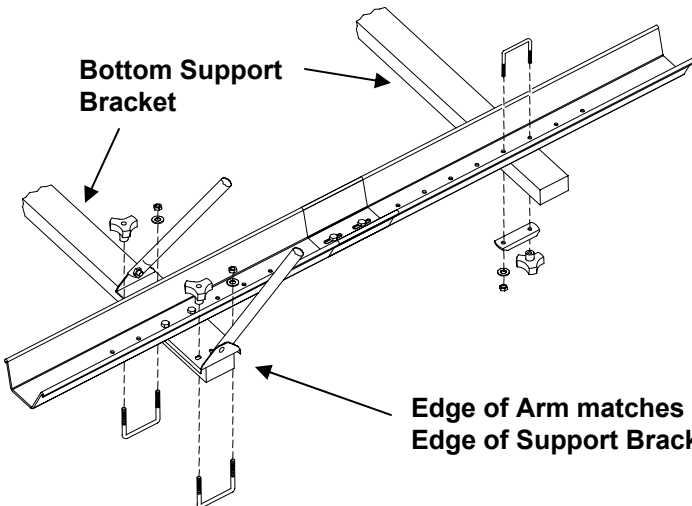


- Place the assembled Wheel Trough and Arm onto the Bottom Support Bracket. Arm Plate should sit directly over the rectangular tube of Support Bracket.

- Place U-bolt through bottom of Arm around Support Bracket tube.
- Place washer then nut onto inner leg (to Cargo Tray) of U-bolt. Hand-tighten nut until nut & washer are in contact with Arm Plate. Place knob onto leg of outer leg of U-bolt. Place nut on leg and tighten until nut goes into knob. Spinning knob will cause nut to travel down U-bolt leg into the knob until tight against Arm Plate. Do not snug down until later in installation. Repeat above for other U-bolt.

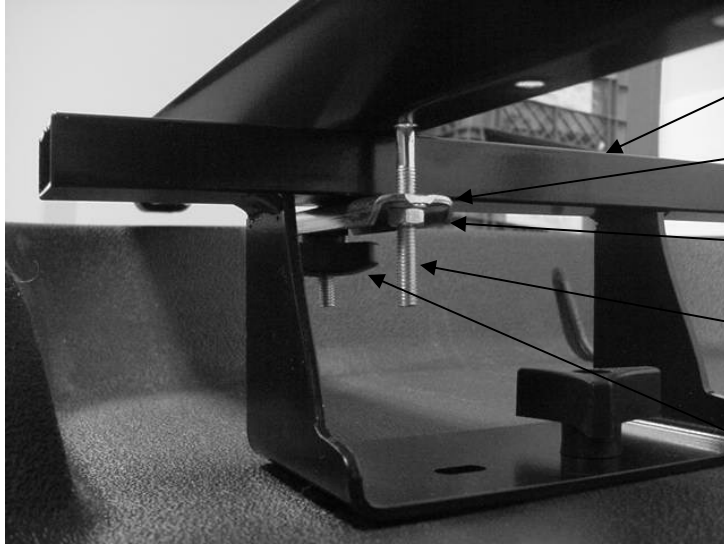
Bottom Support Bracket

Edge of Arm matches
Edge of Support Bracket



Please read all instructions carefully before assembly, installation and/or use of this product.

9



Support Bracket Tube

C-shaped Bracket

Flat washer
Hex nut

U-bolt

Plastic Hand Knob

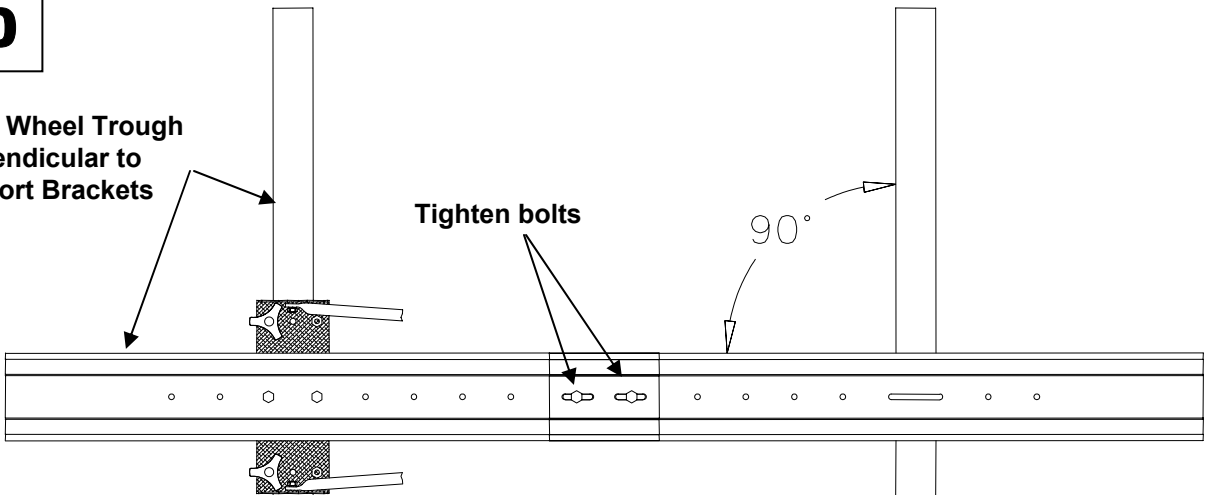
- Install U-bolt downward through Wheel Trough around the Support Bracket Tube. Place C-shaped Bracket onto U-bolt, legs facing down. Place flat washer & hex nut onto inner leg of U-bolt and hand tighten until nut is flush with C-shaped Bracket. Place knob then nut onto outer leg of U-bolt and hand tighten.

10

Align Wheel Trough
Perpendicular to
Support Brackets

Tighten bolts

90°



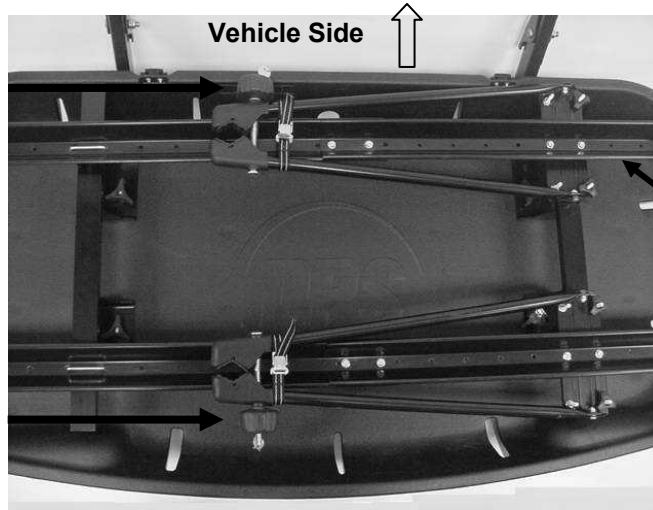
Arm Plate flush with end
of Support Bracket Tube

- Line up Wheel Trough so that it is perpendicular (90 degrees) to the Bottom Support Brackets and so that the edge of Arm Plate is flush with end of Support Bracket Tube.
- Once straight, firmly tighten knobs on all three (3) U-bolts until snug.
- Tighten bolts and nuts connecting the two (2) Wheel Troughs until snug.

Please read all instructions carefully before assembly, installation and/or use of this product.

11

**Locking Knobs
to the outside**

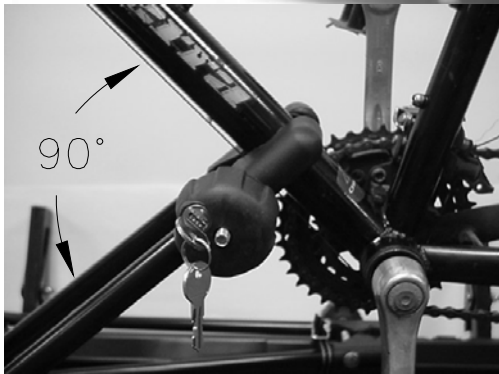


**For (1) Bike Carrier
Locate Wheel Trough
Toward vehicle**

- Line up Trough Arms with the locking knobs to the outside. This allows the arms to collapse completely against the trough when not in use.
- When using:
 - (1) Bike Rack – Locate Wheel Trough to vehicle side of Cargo Tray.
 - (2) Bike Racks – Locate Wheel Troughs to the outer part of the Cargo Tray facing the same direction as shown. Make sure the knobs are to the outside.
 - (3) Bike Racks – Set the center Bike Rack opposite to the outer two (2).

GENERAL OPERATING INSTRUCTIONS

- **ALWAYS** tighten all knobs before every use.
- Place bike tires into Wheel Troughs as shown.
- Raise the Bike Arm Support into position and attach the clamp to your bike's downtube. Firmly hand tighten the clamp. The angle between the support arm and your bike's downtube should be approximately 90 degrees.
- Lock the Hand Knob with the key.



Please read all instructions carefully before assembly, installation and/or use of this product.

GENERAL OPERATING INSTRUCTIONS continued



- Place straps on each wheel of the bike and around wheel trough as shown. Tighten strap until wheel is held firmly.



- When not in use, take Bike Arm and strap it down to wheel trough as shown above.
- The tray can be tilted up with the Bike Kit in the storage position when not in use.

WARNING!

- Do not exceed rear axle rating of vehicle.
- Accessory capacity limited to 12% of Gross Tow Rating.
- Not to exceed 90 lb for 2-Bike Rack System or 135 lb for 3-Bike Rack System.
- Proper fitting and installation of this ROLA™ Bike Rack is critical, and is the owner's sole responsibility.
- Improper use of this product may result in damage to your ROLA™ Bike Rack, your vehicle, your bicycles, or even other vehicles driving behind you (as a result of colliding with or trying to avoid fallen bicycles and/or the rack).
- All bolts, knobs, straps & latches must be properly attached and secured before every use.
- All locks must be locked before every use.
- Check load at stops during trip to ensure tightness and security.
- This rack is designed for typical use and applications (on paved or smooth gravel roads). Do not use this ROLA™ Bike Rack on a vehicle that will be driven on rough roads or where the rack (and bikes) will be subjected to significant or constant jarring and/or shock. Any vehicle with very stiff springs will transfer the load shocks directly to the ROLA™ Bike Rack and the bikes.
- The purchaser should be aware that the load created by a ROLA™ Bike Rack and bicycles can exceed the maximum rating on the hitch or bumper.
- Cequent Towing Products ROLA™ Bike Racks are powder-coated to help prevent rust. As with any metal equipment it is recommended that you keep the ROLA™ Bike Rack clean and remove road salt and debris. When leaving them outside for extended periods of time the finish will lose its luster. It is recommended that when not in use the ROLA™ Bike Rack is stored indoors.
- The ROLA™ Bike Rack won't carry bikes with oblong frame tubes or unusually large frame sizes.
- Take care to add padding on any area of the bikes that touches another bike. Damage can and will happen to your bikes if care is not taken during the loading and transporting of your bikes.
- Bicycle tires should be kept at least 6" away from the exhaust pipes of the vehicle. The high temperature exhaust exiting from the exhaust pipes is hot enough to melt or damage tires. Keep all bike tires totally away from the direct exhaust flow.
- Bikes fitted with large accessories (such as child carrying seat) will greatly increase the wind resistance and therefore the pressure on the rack and all vehicle-mounting points. Therefore, it is suggested you remove these accessories during transport. If unable to remove, reducing vehicle speed will reduce the chance of any problems occurring because of this situation.
- After reading this manual, should you have any additional questions regarding the compatibility, fitting and/or use of the ROLA™ Bike Rack, please contact your nearest Cequent Towing Products authorized retail dealer or Cequent Towing Products Customer Service.