

Please read all instructions carefully before assembly, installation and/or use of this product

Guidelines

When using load carriers and accessories, the user must understand the precautions. The points listed below will assist you in using the roof top carrier and will encourage safety.

- The maximum weight capacity of the roof top carrier is 100 lb. Do Not exceed the LOWEST of the vehicle manufacturer's cross bar rating OR roof top carrier weight limit. Improper use of this product will void the warranty
- Always make sure car doors are open when mounting a roof top carrier. Make sure all knobs, bolts, screws, straps, and locks are firmly attached, tightened, and locked before every trip. Knobs, bolts, screws, straps, and locks must be periodically inspected for signs of wear, corrosion, and fatigue. Check your load at stops during the trip to ensure continued fastening security.
- Check local and state laws governing projection of objects beyond the width of a vehicle. Be aware of the width and height of your cargo since low clearance branches, bridges, and parking garages can affect the load. All cargo will affect the vehicle's driving behavior. Never drive with any lock, knob, or rack in an open or unlocked position.
- When not in use, fold down the roof top carrier into its storage position and install the cover or remove the roof top carrier from the top of your vehicle.
- For safety to your vehicle and roof top carrier, obey all posted speed limits and traffic cautions. Adapt your speed to the conditions of the road and the load being carried.
- Do not use load carriers and accessories for purposes other than those for which they were designed. Do not exceed their carrying capacity. Failure to follow these guidelines or the products' instructions will void the warranty.
- Review all instructions and warranty information carefully.

Step-by-Step Set Up/Installation

1. Remove product from the box.

2. Assemble aluminum frame.

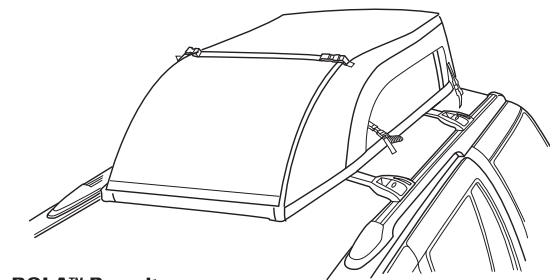
- Lay the two sections of the frame on a flat surface, making sure the bracket plates of both sections are on the same side. (on the top or bottom). See Diagram 1.
- Align the sections together and push the two piece aluminum frame together to form a one piece assembly.

3. Slide aluminum frame into the bottom pocket of the cargo bag - narrow end first. See Diagram 2.

- Make sure that the buckles inside the cargo bag are unhooked.
- When sliding the frame into the bottom pocket, make sure the bracket plates of the frame are on the same side as the bottom of the cargo bag.
- The frame should fit tight in the cargo bag, so it might take some work to get the frame to fit in properly.
- Once the frame is completely in the bottom pocket, fold the corners over the frame and Velcro to secure the frame inside the cargo bag.
- Use the straps to tighten.

4. Insert the plastic reinforcement pieces to both side panels to ensure rigid structure of the cargo bag. See Diagram 3.

- Unvelcro the side panel pocket on the inside of the back end of the cargo bag.
- Insert the plastic reinforcement pieces into the side panels into their pocket on each side of the cargo bag from the back end.



ROLA™ Pursuit fully assembled

Diagram 1

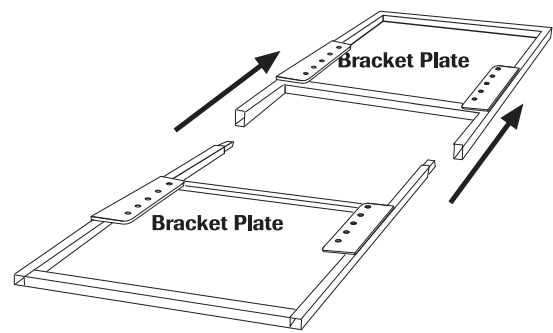


Diagram 2

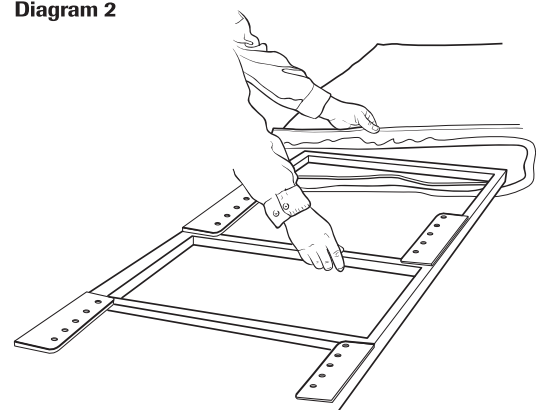
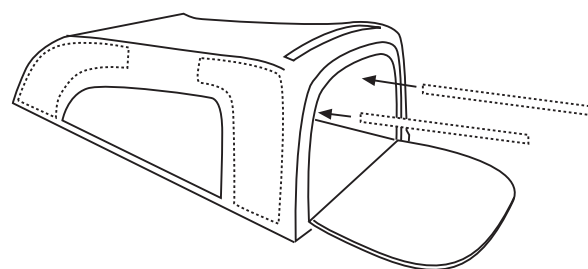


Diagram 3



5. Attach the front air deflector panel.

- Connect one end of the buckle straps on the bottom of the front air deflector to the buckles located on the bottom of the cargo bag towards the front end.
- Velcro the bottom of the front air deflector to the bottom panel of the cargo bag.
- Lay the side panels flat.
- Use the provided buckles on the front air deflector and attach to the buckles located on the sides of the cargo bag. (Front air deflector should be laying flat.)
- Loosen vehicle cross bars so they are adjustable.

6. Place the roof top cargo carrier on top of your vehicle. (See Diagram 4)

- Position the cargo bag so the front air deflector is facing the front of vehicle.
- Center the cargo carrier on the vehicle cross bars.
- Check for proper clearance between carrier and vehicle's hatch.
- Unsnap the front air deflector from the sides of the cargo bag.
- Unfold side panels and snap front wind protector to the side panels. (Front air deflector and side panels will be in the upright position, see Diagram 5)
- Unvelcro and unzip both side pockets.

7. Secure the roof top carrier to the rack on top of the vehicle.

- Open both side panels to access the inside of the cargo carrier
- Unvelcro the bracket plate covers on the inside floor of cargo carrier to access the bracket plates.
- Adjust the vehicle cross bars until the bar is centered between the bracket mounting holes. *Note: It is recommended to locate the vehicle crossbars to the widest possible setting for optimum load distribution.*
- Insert a U-bolt from underneath the cross bar, through the pre-drilled holes of the bracket plate.
- Loosely fit two knobs over the threaded ends of the U-bolt. DO NOT tighten them fully yet. (See Diagram 6 - This is a representation of how the frame looks inside the cargo bag)
- Feed the remaining 3 U-bolts through the bracket plate holes and loosely secure the knobs to them.
- Tighten the knobs when all 4 U-bolts are in place.
- Velcro the bracket plate/U-bolt covers closed.

8. Insert the baton in the rear of the cargo bag.

- Unzip the back panel zipper.
- Insert 1 end of the baton into the pocket. (pocket is a different color webbing)
- Bend the baton and slide the 2nd end of the baton into its pocket to form a rigid back end to the cargo bag. (See Diagram 7)

Fill the cargo bag with items you want to travel with. Make sure all zippers are completely zipped and that all snaps are tightened securely.

Uninstall

1. Remove all items stored in the roof top carrier. Make sure to zip side panels closed.
2. Remove the baton from the rear of the cargo bag. Once removed, zip rear panel closed.
3. Unsnap the front air deflector from both sides.
4. Fold side panels to flat position.
5. Lay the front air deflector on top of side panels and snap to both sides of the cargo bag.
6. Place the rainproof cover provided onto the cargo bag. (See Diagram 8)
 - Slide front end of the cover over the front end of the cargo bag.
 - Stretch the cover over the rest of the cargo bag.
 - Use the snaps on the back end of the cargo bag to tightly secure the cover to the roof top carrier.

Diagram 4

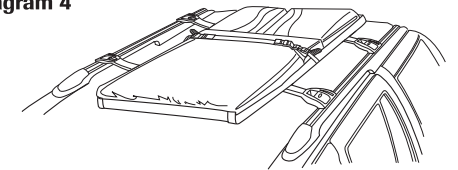
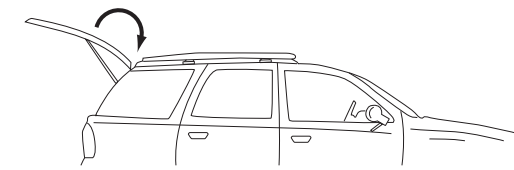


Diagram 5



Check for proper clearance between carrier and vehicle's hatch.

Diagram 6

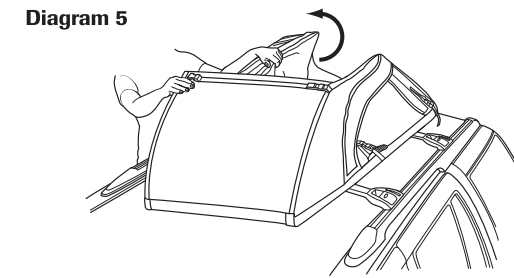


Diagram 7

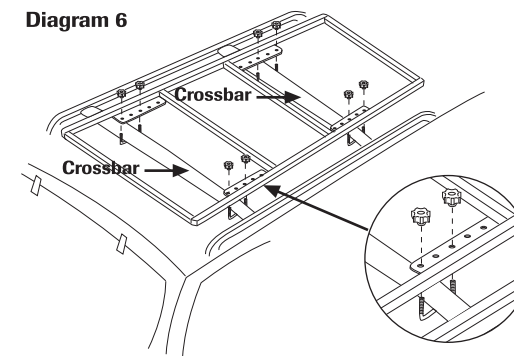


Diagram 8

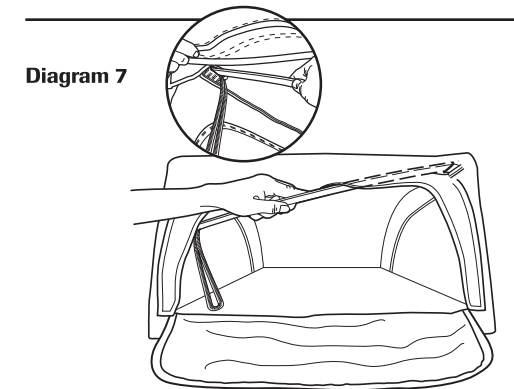


Diagram 8

