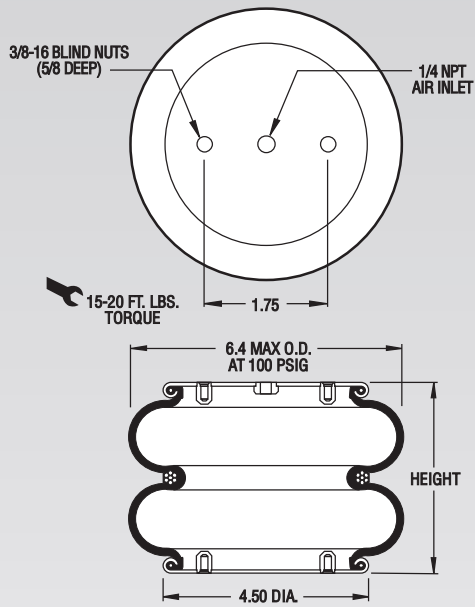


Description		Assembly Order No.
Style 25	Blind nuts, 1/4 NPT	WO1-358-7025
	Blind nuts, 3/4 NPT	WO1-358-7047
Two Ply Bellows	Blind nuts, 1/4 NPT both ends	WO1-358-7035
	3/4 NPT both ends (no blind nuts)	WO1-606-7025
	Socket head aluminum bead rings (bolts, nuts, washers not included, use cap screws)	WO1-358-0030
	3/4 NPT (only) upper plate, blind nuts lower plate	WO1-358-7000
	Rubber bellows only	WO1-358-0319
Assembly weight		3.8 lbs.
Force to collapse to minimum height (@ 0 PSIG).....		30 lbs.

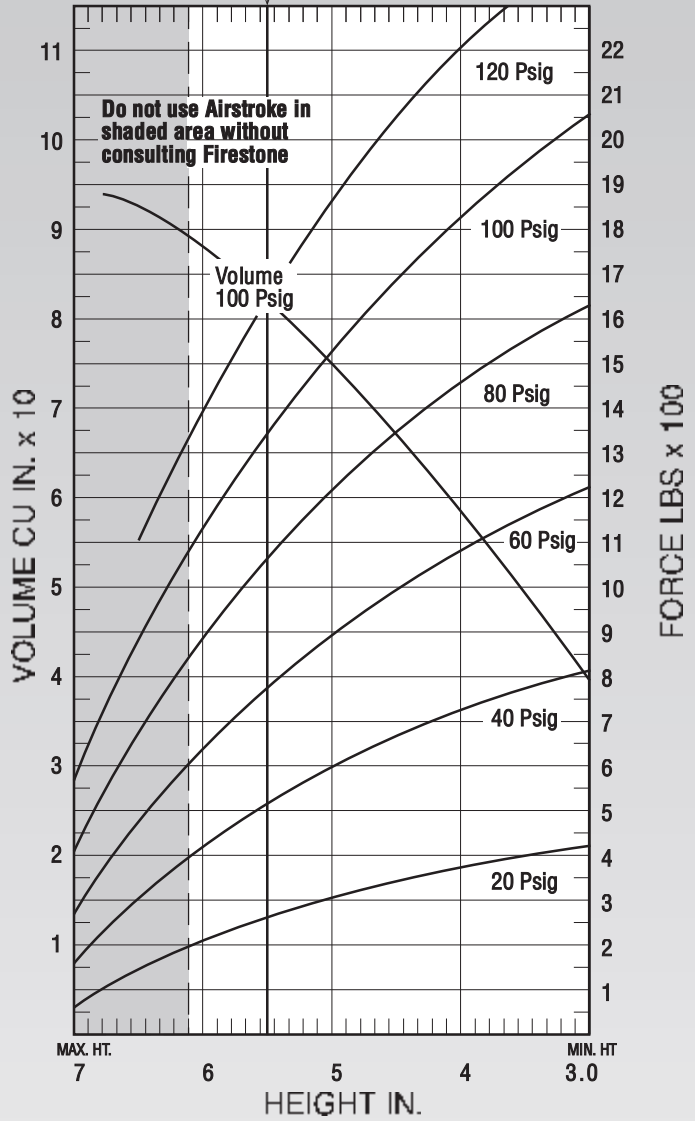
RECOMMENDED Design Position Static Pressure 0-100 psi

RECOMMENDED AIRMOUNT DESIGN HEIGHT 5.5 INCHES

Static Data R7340



NOTE: A bead plate part is shown. This part is also available with bead rings. Bolts are not included. See pages 8-10 for explanation.



See page 12 for instructions on how to use chart.

Volume @ 100 PSIG = 86 in ³			Natural Frequency	
Gage Pressure (PSIG)	Load (lbs.)	Spring Rate (lbs./in.)	CPM	Hz
40	515	339	153	2.54
60	787	482	147	2.45
80	1,062	634	145	2.42
100	1,360	773	144	2.36

Assembly Height (in.)	Volume @ 100 PSIG (in ³)	Piston Force				
		3/20 PSIG	3/40 PSIG	3/60 PSIG	3/80 PSIG	3/100 PSIG
5.0	78	300	590	890	1,210	1,540
4.0	60	380	720	1,080	1,450	1,810
3.0	39	420	800	1,220	1,640	2,060