

E4-WM5-Y594A00

MOUNTING INSTRUCTION



IMPORTANT! READ THIS FIRST!

Installation of shock absorbers requires special tools and expert knowledge. Accordingly, installation of all BILSTEIN products must be performed by a qualified suspension specialist.

When replacing other brands, BILSTEIN shock absorbers should always be installed as a set. All BILSTEIN products must only be used for the specific, intended application as indicated in the application guide. **Any use of any BILSTEIN product other than for its intended use may result in serious bodily injury or death.**

Always use a chassis hoist for the installation of BILSTEIN products and make certain that the raised vehicle is securely attached to the hoist and/or supported to prevent the vehicle from slipping, falling, or moving during the installation process.

If you choose to install any BILSTEIN product without the necessary special tools, expertise or chassis hoist, you may subject yourself to the risk of serious bodily injury or death. If you elect not to use a chassis hoist, at least make sure the vehicle is on level ground, that all tires on the ground during installation are blocked to prevent movement, that at least two tires are on the ground at all times, and that adequately secured safety stands (jack stands) are used to support the chassis. **NEVER** get under the vehicle until you have checked to make sure all of these steps are performed.

BILSTEIN suspension products are gas-filled and are highly pressurized.

- Never place any BILSTEIN product in a vise or use a clamp on any BILSTEIN product.
- Never apply heat near any BILSTEIN product.
- Never attempt to open or repair any BILSTEIN product, in order to prevent **serious bodily injury or death**.

Any attempt to misuse, misapply, modify, or tamper with any BILSTEIN suspension product voids any warranty and **may result in serious bodily injury or death**.

While installing any BILSTEIN product:

- Do not use impact tools for loosening or tightening fasteners, because this may destroy the screw threads.
- Self-locking fasteners must only be used **once!**
- Reuse original equipment components only if they are in good condition, otherwise replace them with new components.
- Never remove the slight film of oil on the piston rod and seal.
- All mounting fasteners for shocks and struts must be securely tightened before tension is placed on the suspension system.

After installing any BILSTEIN product:

- The suspension caster and camber must be checked and/or adjusted to comply with the vehicle manufacturer's specifications.
- The (load dependent) brake compensator and the anti-lock brake system must be checked and/or reset to comply with the vehicle manufacturer's specifications.
- The headlight aim must be checked and adjusted.

CAUTION!!!

Before disassembling the front suspension, refer to the vehicle manufacturer's Service Manual for proper procedures. The coil spring is preloaded and must be compressed with a spring compressor to release load before the upper mount is disassembled. Failure to follow the vehicle manufacturer's procedures may cause serious injury or death, and may damage the vehicle.

E4-WM5-Y594A00

MOUNTING INSTRUCTION



Instructions for disassembly of OE strut and spring unit:

- A. Remove the existing strut and spring unit from the vehicle following all procedures in the vehicle manufacturer's service manual.
- B. Mark the clocking of the spring and isolators (important for reassembly).
- C. Using an appropriate spring compressor, compress the spring until it can be rotated freely by hand. Then, disassemble the strut and spring unit.
- D. Inspect OE parts to be reused and replace with new parts if they show significant signs of wear.

Instructions for assembly of B6 strut and spring unit:

[Refer to Figure 1 on page 3 for steps E-N]

- E. Install OE lower isolator with correct clocking.
- F. Install OE bumpstop and dustcover.
- G. Using an appropriate spring compressor, compress the OE coil spring enough to safely assemble it with the new Bilstein strut.
- H. Place the OE upper mount (top mount plate, upper isolator and bearing) onto the top of the spring.
- I. Install the supplied washer onto the stem of the rod as shown.
- J. Make sure the lines on the OE upper mount, the spring isolators, and the spring all line up.
- K. Install the provided new locknut and tighten to 41 N·m (30 lb·ft).
******DO NOT USE AN IMPACT WRENCH TO TIGHTEN THE NUT! ******
- L. Slowly release the spring compressor.
- M. Install the strut and spring unit onto the vehicle and tighten all fasteners to vehicle manufacturer's specifications.
- N. Check wheel alignment. If necessary, adjust to the vehicle manufacturer's specifications. This completes the installation.

E4-WM5-Y594A00 MOUNTING INSTRUCTION

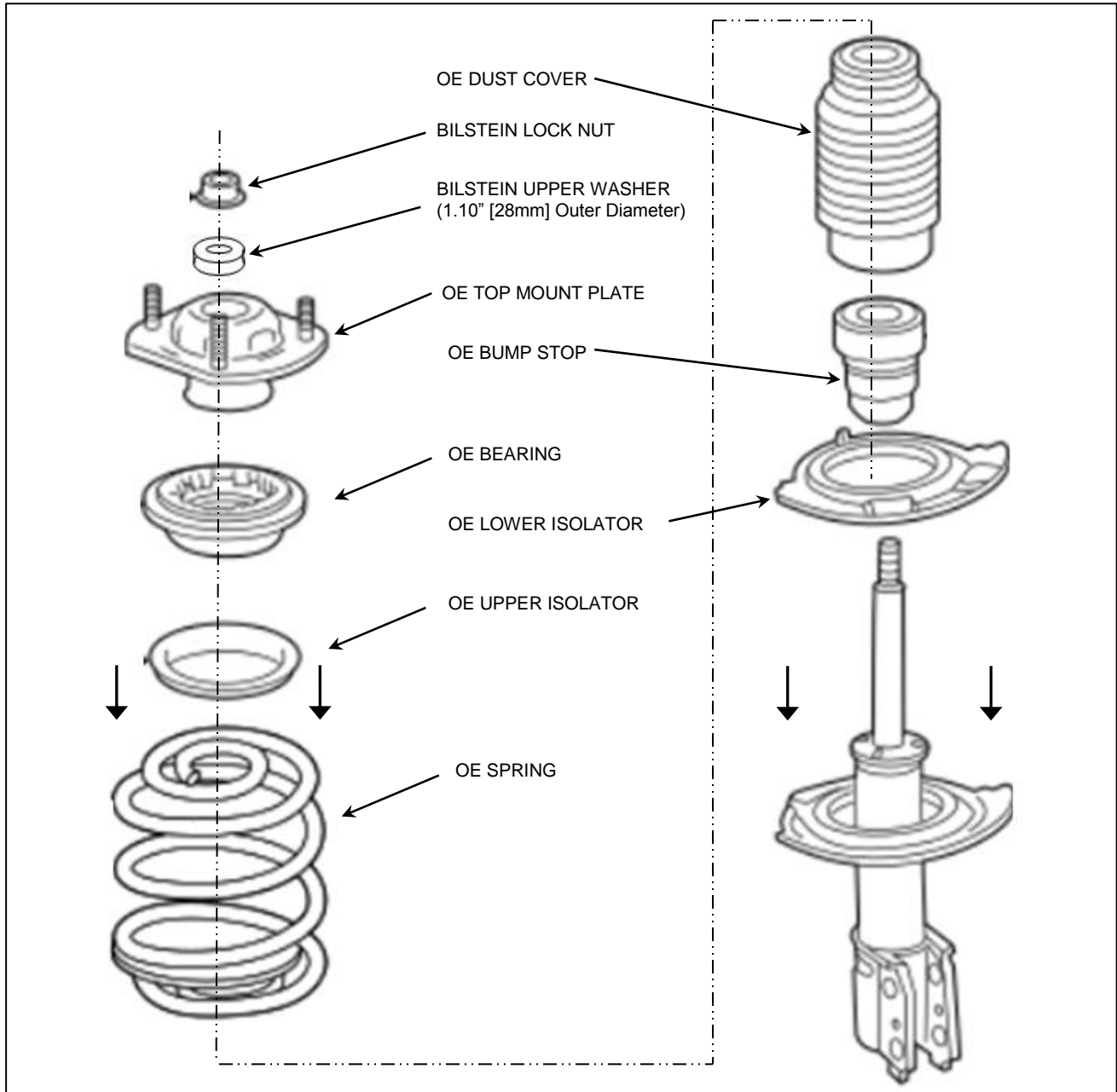


Figure 1