

Hellwig PRODUCTS.com

559-734-7451 800-367-5480 FAX 559-734-7460

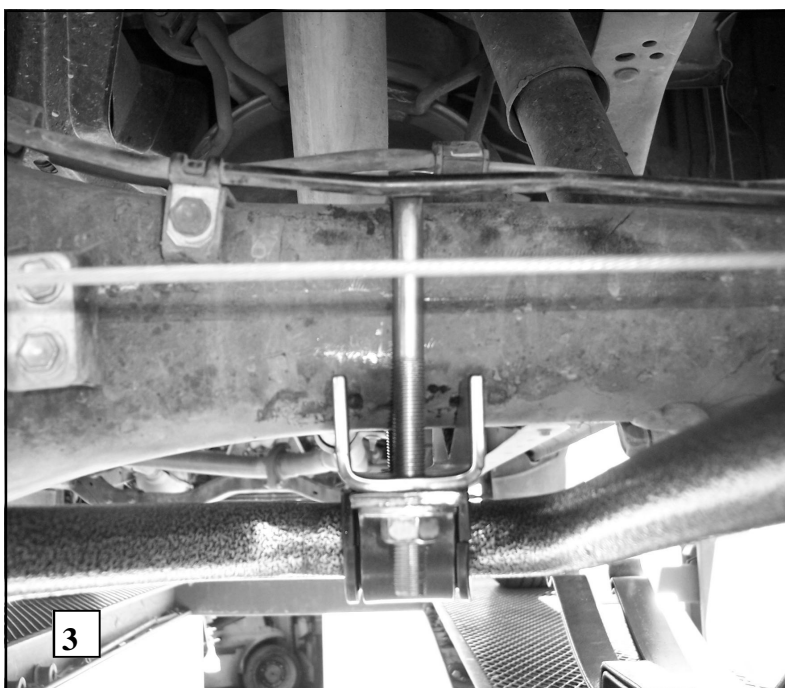
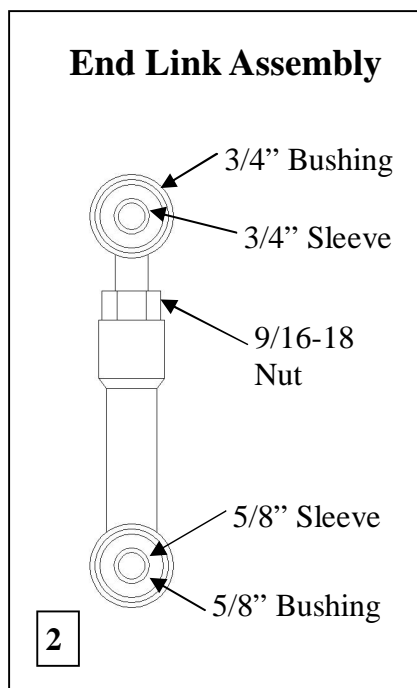
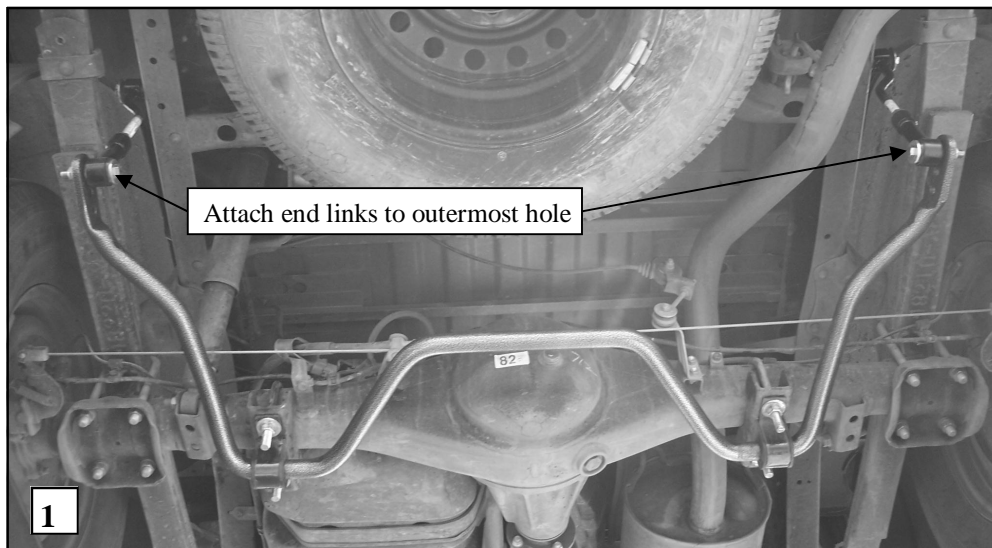
INSTALLATION INSTRUCTIONS

Rear Stabilizer Bar

2000-2006 Toyota Tundra

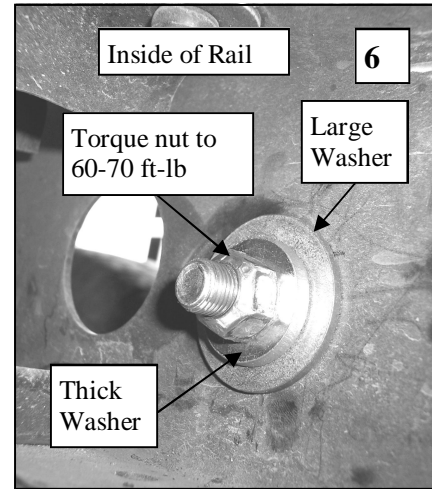
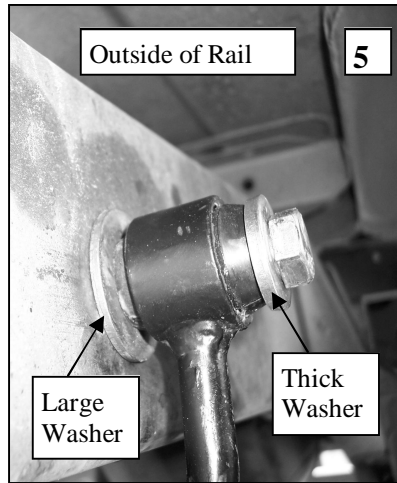
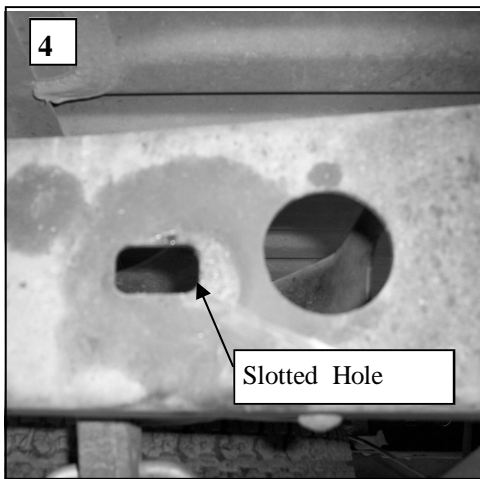
Thank you for purchasing a quality Hellwig Product.

PLEASE READ THIS INSTRUCTION SHEET COMPLETELY BEFORE STARTING YOUR INSTALLATION



Hellwig PRODUCTS.com

559-734-7451 800-367-5480 FAX 559-734-7460



SAFETY: BEFORE STARTING YOUR INSTALLATION, BE SURE TO SET PARKING BRAKE AND CHOCK TIRES.

NOTE: TO EASE INSTALLATION AND TO PROPERLY ADJUST BAR, THE WEIGHT OF THE VEHICLE MUST BE ON THE SUSPENSION, AS IF DRIVING DOWN THE ROAD. DO NOT RAISE VEHICLE BY FRAME.

NOTE: THIS KIT INCLUDES LOCK NUTS WHICH REQUIRE TIGHTENING WITH A WRENCH AFTER BEING STARTED BY HAND.

1. Place the U-bolts over the axle tubes as shown in photos 1 & 3. Be careful to place the U-bolts under any brake lines or wires so not to damage them when the U-bolts are tightened.
2. Lubricate the D-shaped bushings and place them on the flat areas of the bar to line up with the U-bolts. Place the U-plates over the D bushings.
3. Place the saddle brackets onto the U-bolts so that they lie flat against the bottom of the axle.
4. Raise the bar up to the u-bolts and mount the bushings and U-plates to the U-bolts with 7/16" washers and locknuts. Leave loose at this time for adjustment later.
5. Assemble end link assembly by inserting 3/4" ID hourglass bushings into loops in upper end links first. Then insert 3/4" OD sleeves into bushings. Lubricate bushings and sleeves with supplied grease before assembly. Repeat for lower end links with 5/8" ID hourglass bushings and sleeves.
6. Locate slotted holes in frame just aft of the spare tire crossmember as shown in photo 4.
7. Attach end link to slotted hole in frame by using the 1/2" bolt, locknut and combination of thick and large washers as shown in photos 5 & 6. Torque to 60-70 ft-lb.
8. Attach end link to outermost hole in sway bar using 7/16 X 2-3/4 bolt, thick washers and locknut as shown in photos 1. Torque bolt to 40 ft-lb. Adjust end links so that the arms of the sway bar are parallel with the ground. When satisfied with alignment of sway bar, torque 9/16" nut on end links to 70 ft-lb.

IMPORTANT NOTE: The end link threads are NOT powder coated so that the end links can be threaded together. To prevent corrosion, it is advised to lightly coat the exposed threads with black spray paint after adjusting to desired length.

Hellwig PRODUCTS.com

559-734-7451 800-367-5480 FAX 559-734-7460



9. With the bar properly aligned, verify that all vehicle components have proper amount of clearance, and that brake lines, wires, cables, and other components will not be pinched or crushed when u-bolts are tightened. Torque U-bolts to 35 ft-lb.
10. Bounce the vehicle checking for clearance on all under carriage components – emergency brake cables, exhaust, shocks, differential, etc. Test drive the vehicle and recheck all clearances and the installation alignment. Adjust as needed. Recheck your installation after one week of driving and periodically on a regular basis.
11. The sway bar arms have three mounting holes. Mounting the sway bar on the outer hole is the nominal position. For firmer settings, use the inner holes. We recommend starting with the outer mounting hole as in photo (2) until you are accustomed to the vehicles new handling characteristics. Select the mounting point that best fits your driving style

ATTENTION INSTALLER: PLEASE MAKE SURE CUSTOMER RECEIVES THIS INSTRUCTION SHEET, ALL IMPORTANT NOTE CARDS, WARNING CARDS AND THE WARRANTY FORM